

VISUAL OBSERVATION PAGE

ACCOUNT INFORMATION

Name _____
 Address _____
 City _____ State _____ Zip _____

SURVEY COMPANY

Survey Co _____
 Survey by _____
 Contact Number _____

SITE INFORMATION

Site Location # _____
 Address _____
 City _____ State _____ Zip _____
 Phone _____ Fax _____
 PO Allowance \$ _____
 Photographs Included Yes No
 Total # of Pages _____

SIGN MOUNT TYPE (Check One)

- CENTER
 DUAL POLES
 FLAG MOUNT
 WALL MOUNT
 SWING MOUNT
 MONUMENT
 OTHER
-
- SINGLE FACE SIGN
 DOUBLE FACE SIGN

CABINET CORNERS (Check One)

- SQUARE CORNER
 RADIUS CORNER
-

SURVEY MUST CONTAIN RADIUS OF CORNER OR RUBBING INCLUDED (YES OR NO) YES NO

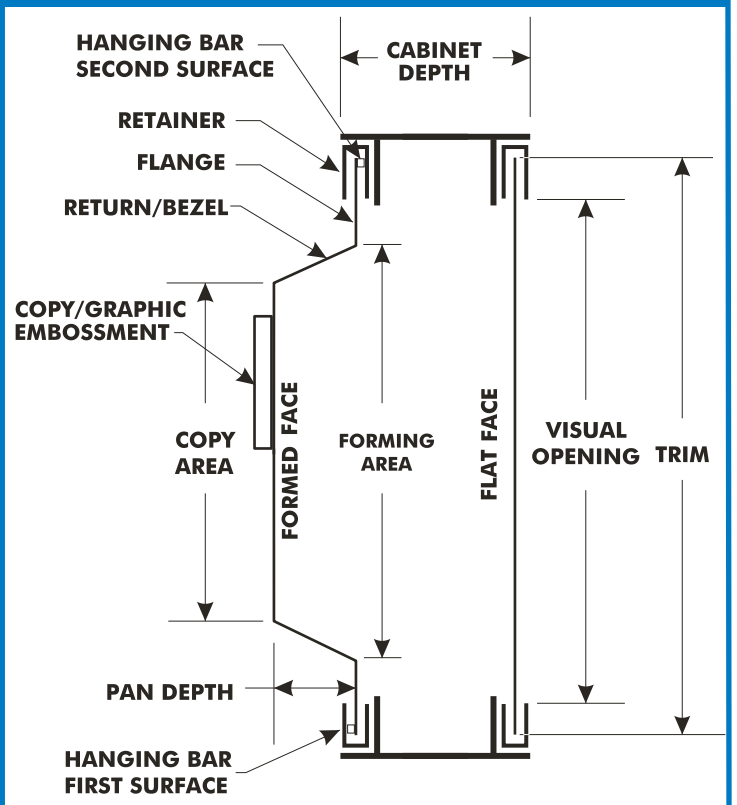
HANGING BAR

- EXTERIOR HANGING BAR
 INTERIOR HANGING BAR
-
- INCLUDE HANGING BAR (YES OR NO) YES NO

ILLUMINATION (Check One)

- INTERNAL
 EXTERNAL
 NON-ILLUMINATED
 LED

SIGN TERMINOLOGY

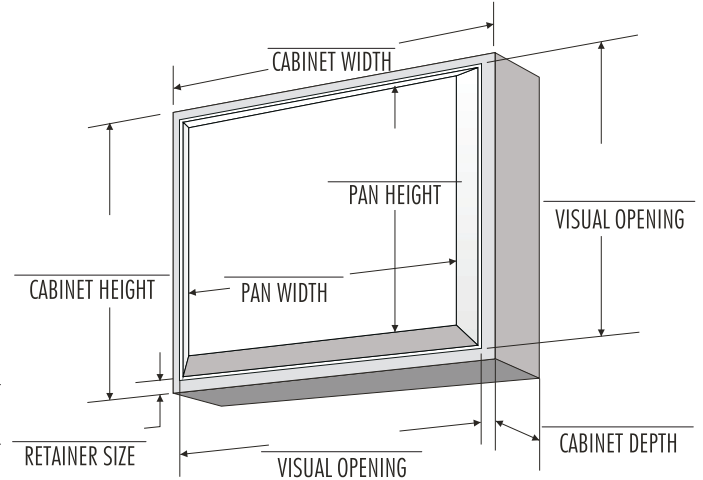


INFORMATION PROVIDED BY THE SURVEYOR WILL BE UTILIZED TO MANUFACTURE REPLACEMENT FACES. IN THE EVENT THAT THE INFORMATION PROVIDED IS IN ERROR, THE SURVEYOR WILL BE RESPONSIBLE FOR COSTS ASSOCIATED WITH CORRECTING THE ERROR(S), WHICH MAY INCLUDE BUT NOT BE LIMITED TO PRODUCT, TOOLING, INSTALLATION AND FREIGHT.

Site Address _____ City _____ State _____

FACE PROPERTIES : MAIN ID

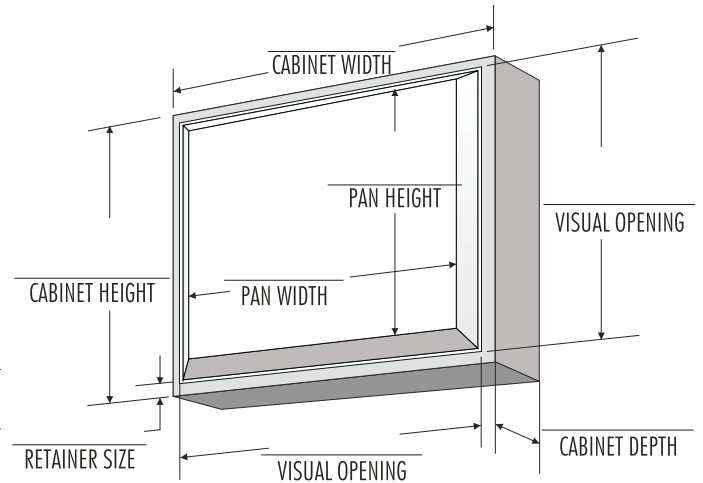
- FACE MATERIAL (CHECK ONE) PLASTIC FLEXIBLE METAL
- PAN FORMED (CHECK ONE) YES- DEPTH _____ NO
- EMBOSSSED GRAPHIC (CHECK ONE) YES NO
- EMBOSSSED COPY (CHECK ONE) YES NO
- SIGN COPY _____ SINGLE FACE SIGN DOUBLE FACE SIGN



OTHER COMMENTS _____

FACE PROPERTIES : PRICER (SEE BOTTOM FOR NUMERAL PLATES DIMENSION)

- FACE MATERIAL (CHECK ONE) PLASTIC FLEXIBLE METAL
- PAN FORMED (CHECK ONE) YES- DEPTH _____ NO
- EMBOSSSED GRAPHIC (CHECK ONE) YES NO
- EMBOSSSED COPY (CHECK ONE) YES NO
- SIGN COPY _____ SINGLE FACE SIGN DOUBLE FACE SIGN



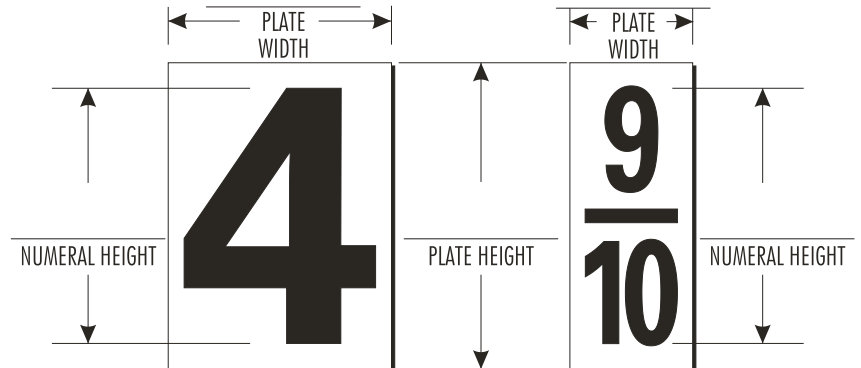
OTHER COMMENTS _____

NUMERAL PLATE DIMENSIONS

TOTAL LENGTH OF TRACK _____

- IS "TENTHS": (CHECK ONE)
- DECORATED ON FACE A PLACARD

- IS "TENTHS" INDICATED AS: (CHECK ONE)
- SMALL 9 AS 9/10

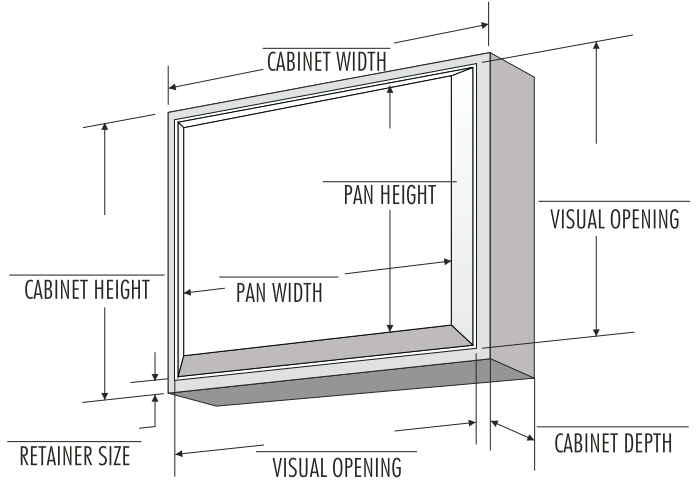


INFORMATION PROVIDED BY THE SURVEYOR WILL BE UTILIZED TO MANUFACTURE REPLACEMENT FACES. IN THE EVENT THAT THE INFORMATION PROVIDED IS IN ERROR, THE SURVEYOR WILL BE RESPONSIBLE FOR COSTS ASSOCIATED WITH CORRECTING THE ERROR(S), WHICH MAY INCLUDE BUT NOT BE LIMITED TO PRODUCT, TOOLING, INSTALLATION AND FREIGHT.

Site Address _____ City _____ State _____

FACE PROPERTIES : AUXILIARY

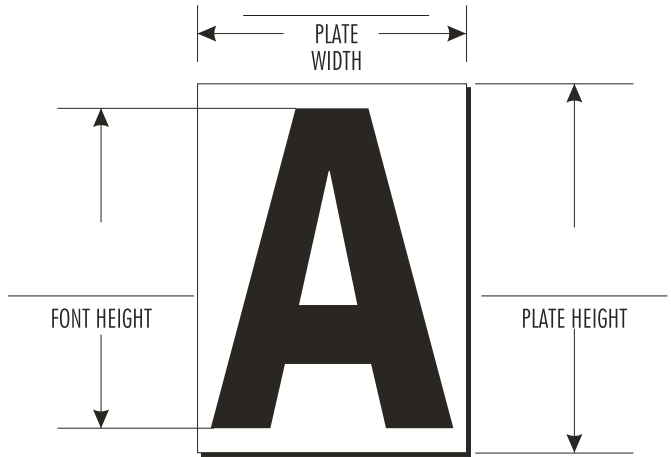
- FACE MATERIAL (CHECK ONE) PLASTIC FLEXIBLE METAL
- PAN FORMED (CHECK ONE) YES- DEPTH _____ NO
- EMBOSSED GRAPHIC (CHECK ONE) YES NO
- EMBOSSED COPY (CHECK ONE) YES NO
- SIGN COPY _____ SINGLE FACE SIGN DOUBLE FACE SIGN



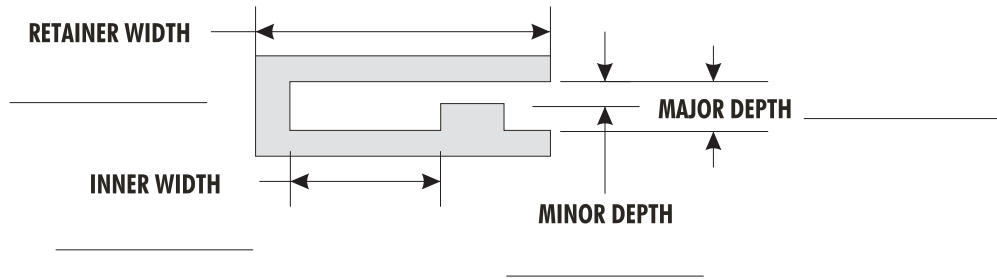
OTHER COMMENTS _____

ALPHA-NUMERIC PLATE DIMENSIONS (IF APPLICABLE)

TOTAL LENGTH OF TRACK _____
 INDIVIDUAL PLATE WIDTH _____
 MAY VARY DEPENDING ON COPY



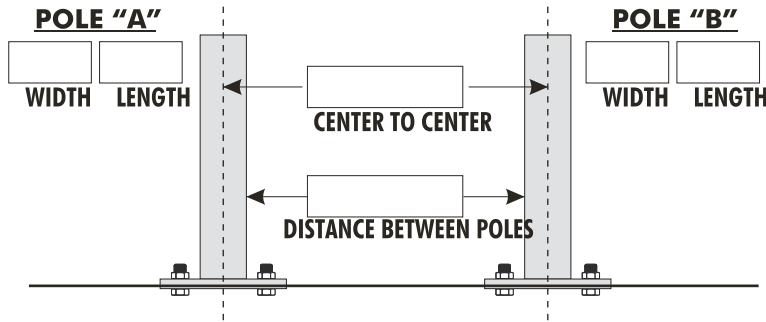
RETAINER PROPERTIES



INFORMATION PROVIDED BY THE SURVEYOR WILL BE UTILIZED TO MANUFACTURE REPLACEMENT FACES. IN THE EVENT THAT THE INFORMATION PROVIDED IS IN ERROR, THE SURVEYOR WILL BE RESPONSIBLE FOR COSTS ASSOCIATED WITH CORRECTING THE ERROR(S), WHICH MAY INCLUDE BUT NOT BE LIMITED TO PRODUCT, TOOLING, INSTALLATION AND FREIGHT.

Site Address _____ City _____ State _____

COLUMN AND BASE PLATE DIMENSIONS



COLUMN HEIGHT _____

OVERALL HEIGHT _____

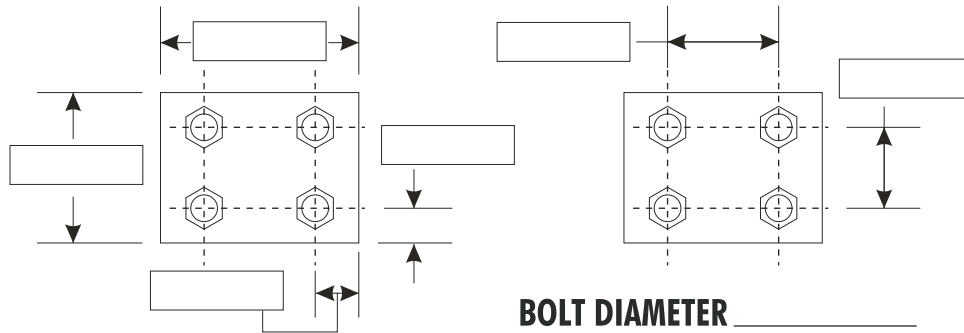
NOTE: OVERALL HEIGHT MEASURED FROM TOP OF SIGN TO GRADE

BASE PLATE THICKNESS _____

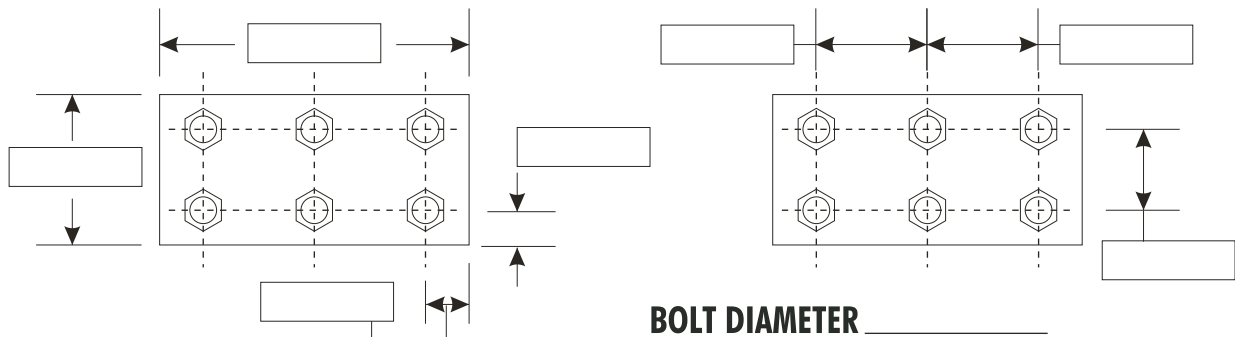
FOUNDATION (CHECK ONE)

DIRECT BURIAL ANCHOR BOLT

4 BOLT MEASUREMENTS



6 BOLT MEASUREMENTS



GENERAL INFORMATION

ROUND _____ DIAMETER TUBE COLUMN DIMENSIONS _____ X _____

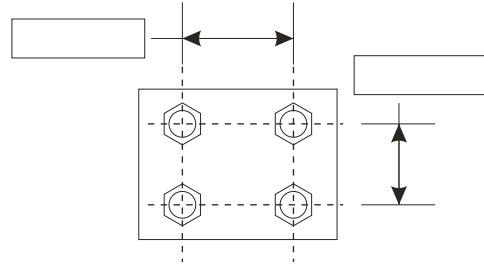
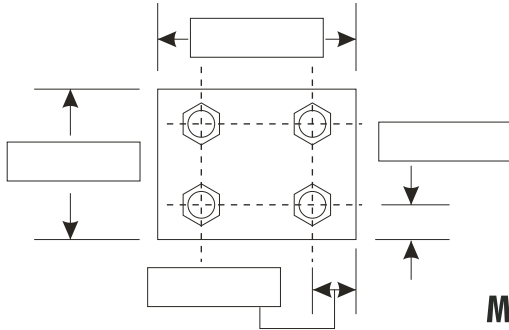
SIGNATURE: _____

DATE: _____

INFORMATION PROVIDED BY THE SURVEYOR MAY BE UTILIZED TO MANUFACTURE NEW COULMNS / BASE PLATES / MATCH PLATES / TORSION BARS / ETC. IN THE EVENT THAT THE INFORMATION PROVIDED IS IN ERROR, THE SURVEYOR WILL BE RESPONSIBLE FOR COSTS ASSOCIATED WITH CORRECTING THE ERROR(S), WHICH MAY INCLUDE BUT NOT BE LIMITED TO PRODUCT, TOOLING, INSTALLATION AND FREIGHT.

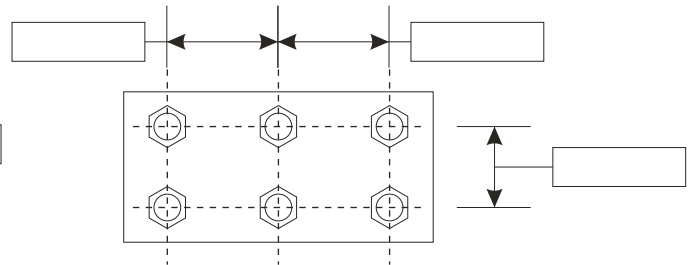
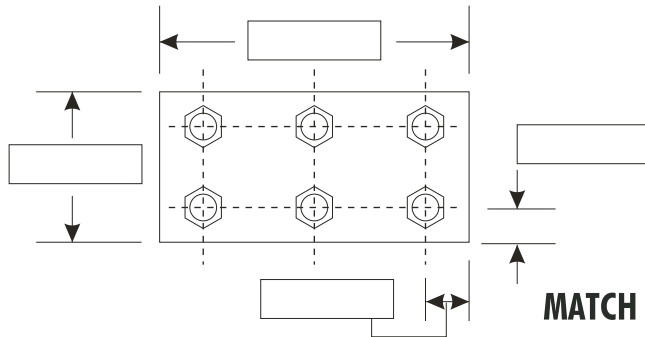
Site Address _____ City _____ State _____

HEAD AND POLE ATTACHMENT - 4 BOLT MEASUREMENTS



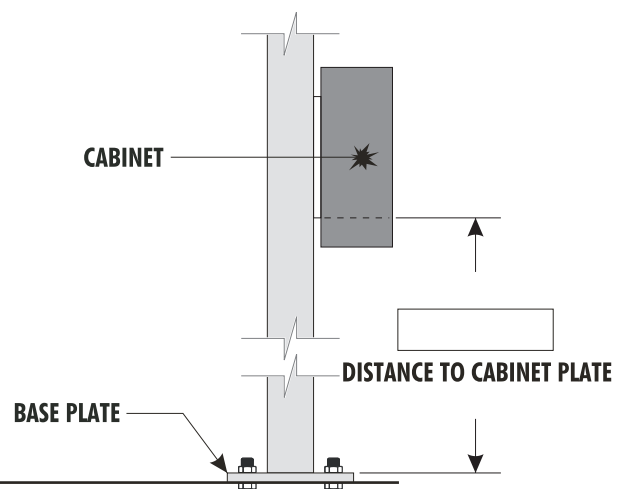
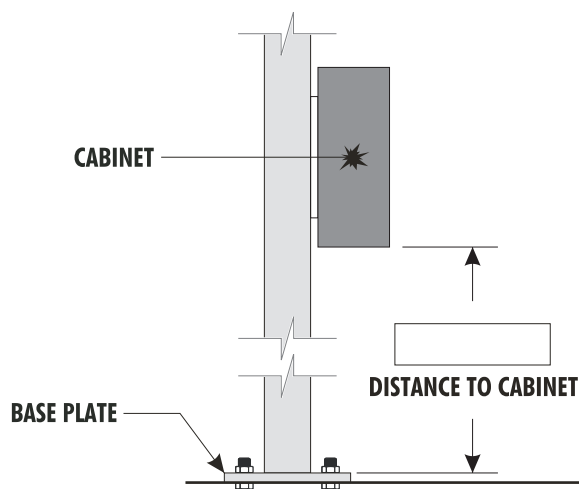
MATCH PLATE THICKNESS _____ BOLT DIAMETER _____

HEAD AND POLE ATTACHMENT - 6 BOLT MEASUREMENTS



MATCH PLATE THICKNESS _____ BOLT DIAMETER _____

PRICER AND ANCILLARY CABINET ATTACHMENT



SIGNATURE: _____

DATE: _____

INFORMATION PROVIDED BY THE SURVEYOR MAY BE UTILIZED TO MANUFACTURE NEW COULMNS / BASE PLATES / MATCH PLATES / TORSION BARS / ETC. IN THE EVENT THAT THE INFORMATION PROVIDED IS IN ERROR, THE SURVEYOR WILL BE RESPONSIBLE FOR COSTS ASSOCIATED WITH CORRECTING THE ERROR(S), WHICH MAY INCLUDE BUT NOT BE LIMITED TO PRODUCT, TOOLING, INSTALLATION AND FREIGHT.